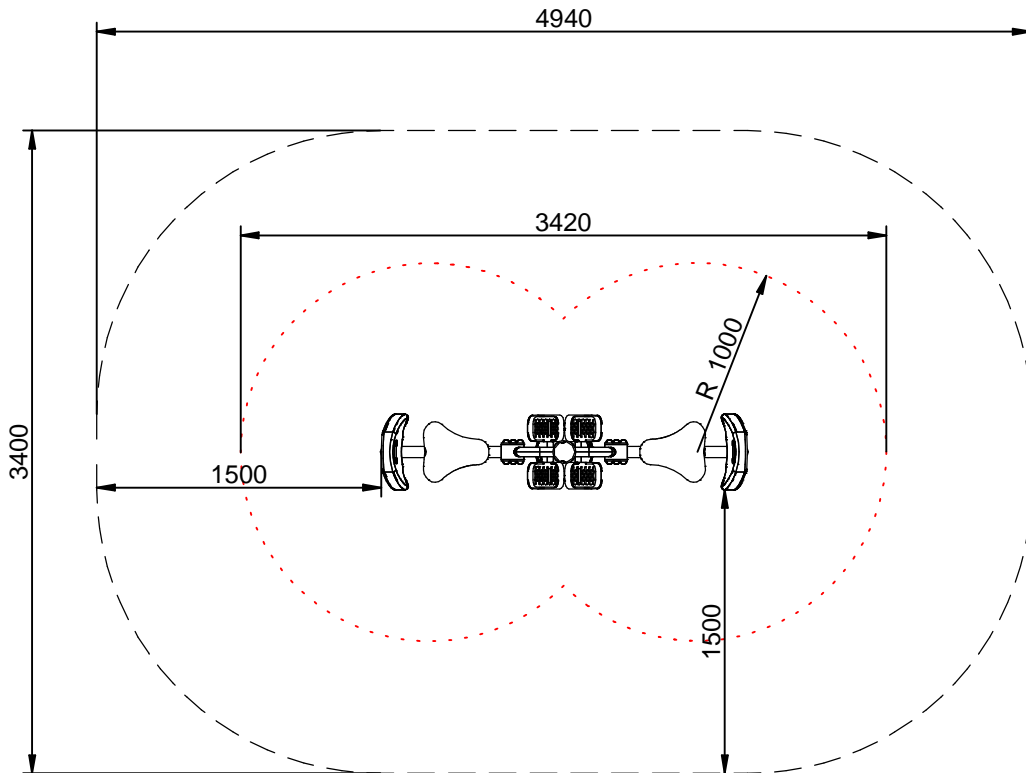
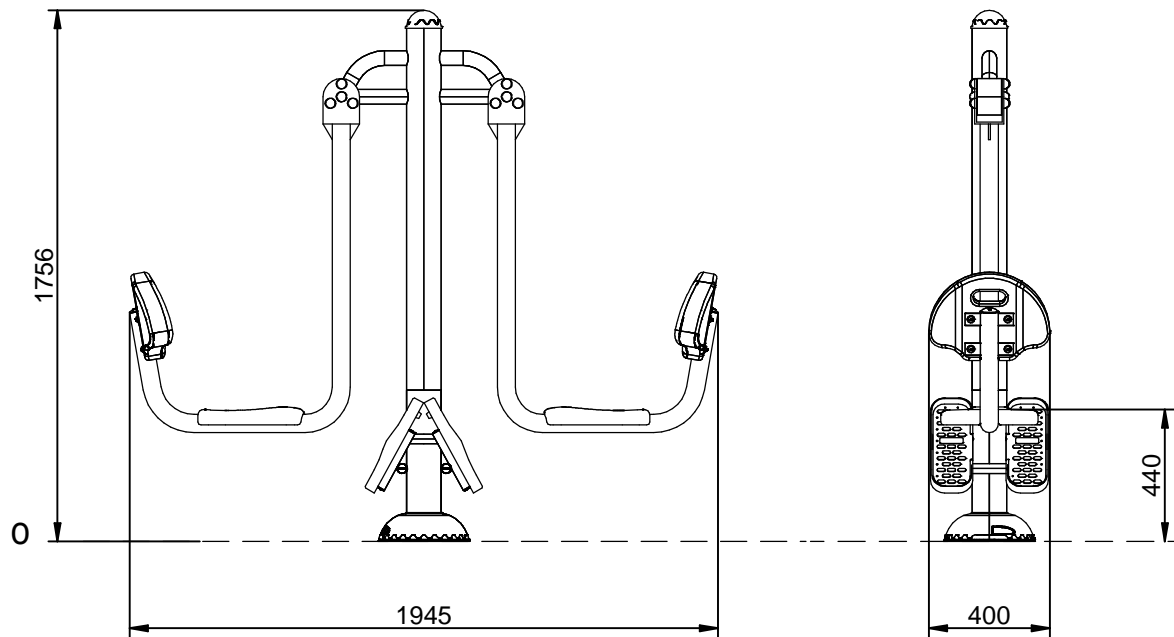


EXTENSION | EXTENSION | EXTENSION | EXTENSION



Stotal = 14,90 m² H= 0,78 m