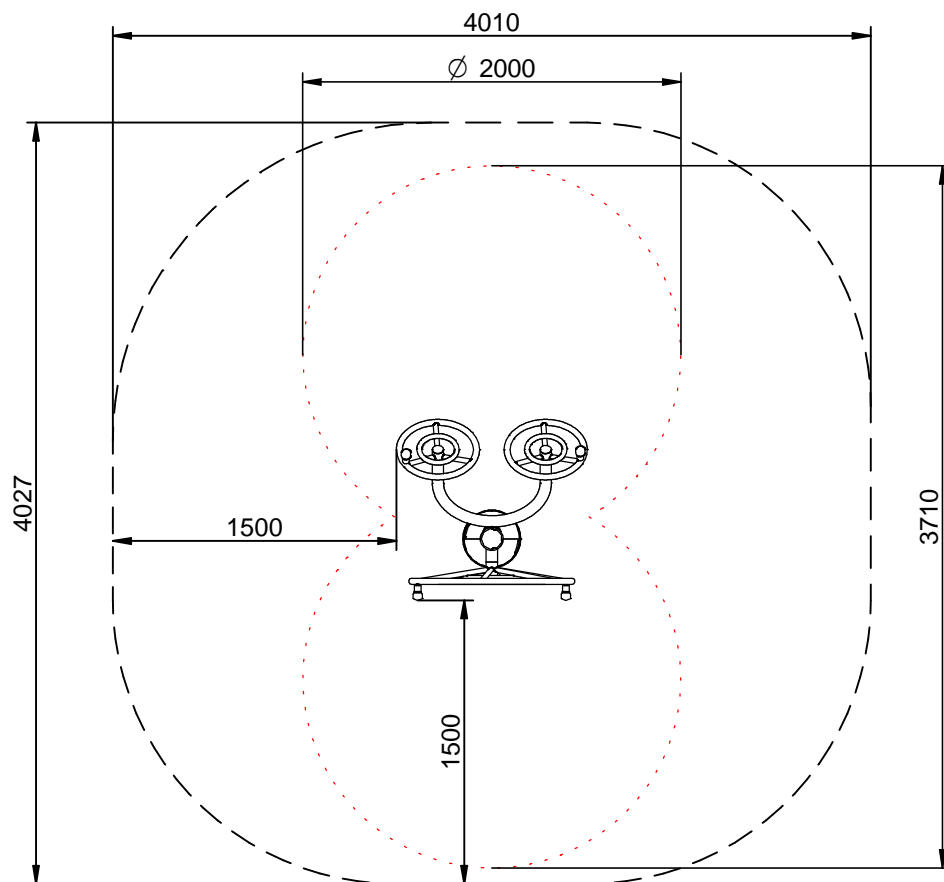
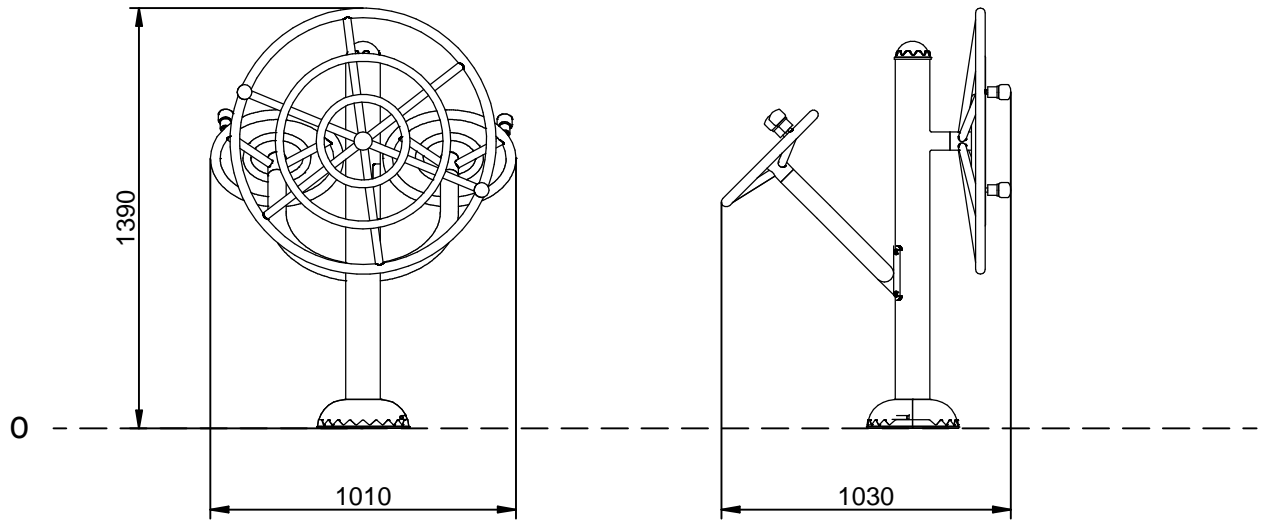


VOLANTES | VOLANTS | WHEELS | VOLANTES



Stotal = 14,10 m² H= 0 m

V 02.05/03/2018