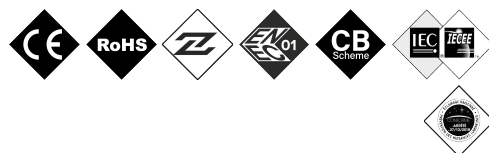
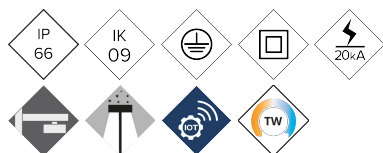


ILDC

Luminaire

DECO CATENARIA



Deco Catenaria belongs to the Essentials family, a set of luminaires of different typologies and styles that share total aesthetic coherence between them. Elegant, decorative, functional and contemporary design. Designed for ambient urban lighting applications, adapting to different outdoor spaces. Ideal for installation on supports between 4 and 8 metres. Optical design optimised for perfect glare control, cut-off suitable for pedestrians and no emission towards the upper hemisphere.

MAIN FEATURES:

- High efficacy. Up to 142 lm/W net
- Essentials range. From 20W to 120W
- Finless passive dissipation
- Tool-less opening
- 18 light distribution curves
- Zhaga Standard (Book 15)
- Ready 4IoT. Ready for any intelligent lighting control solution

APPLICATIONS:

- Decorative industrial
- Architectural zones
- Shopping centres

DETAILS:



Design - By Ramón Úbeda & Otto Canada.



Suspended Installation.



Double Cavity.

[Project sheet](#) | [CAD](#) | [Catalogue](#) | [BIM](#) | [HD image](#)

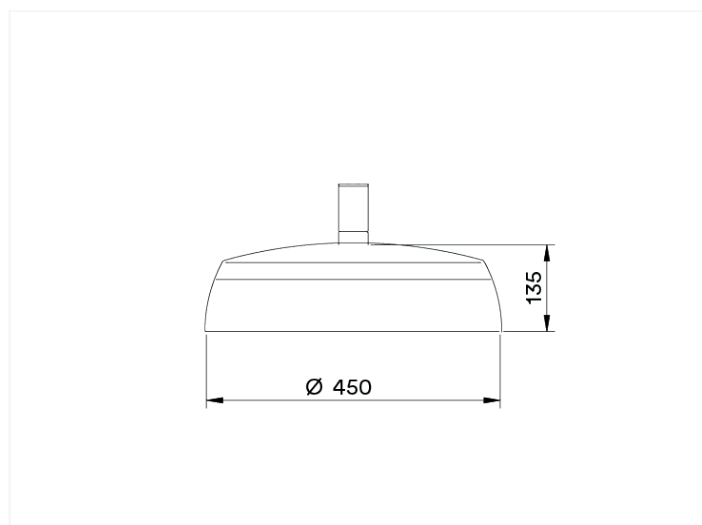
BENITO

info@benito.com
tel. 93 852 1000

SPECIFICATIONS :

| | |
|------------------------------------|---|
| Housing material: | High pressure die-cast aluminium EN AC-43000, EN AC-43100, EN AC-43400, EN AC-44100, EN AC-47100 according to the UNE EN 1706 standard |
| Diffuser (optic system enclosure): | 5mm tempered safety glass. UV filter |
| Fixing elements: | Stainless steel 18/8 - AISI 304 |
| Housing: | Double compartment: driver / LED module |
| Sealing gaskets: | Silicone foam |
| IP rating (luminaire): | IP66 |
| IP rating (optic system): | IP66 |
| IK rating (impact resistance): | IK09 |
| LEDs thermal dissipation: | Thermal dissipation through finless luminaire body, without conductive fluids. Passive convection dissipation ensuring thermal contact with the LED modules through a high-conductivity thermal transfer material |
| Anti-condensation valve: | Optional - Pressure compensation valve that ensures the evacuation of humidity, preventing condensation and maintaining the IP tightness of the luminaire. condensation, maintaining the IP tightness level of the luminaire. |
| Paint and finishes: | Polyester powder paint coating, electrostatically sprayed and sublimated in the oven. Resistant to corrosion |
| Colour: | Matte black RAL 9005. (Optional: other colours on request) |
| Mounting: | Catenaria Suspended |
| Tilt range: | No Tilt |
| Maintenance: | Easy, tool-less opening. Modular concept for easy component replacement: LEDs, drivers, SPD |
| Recommended mounting height: | 4 - 8 m |
| Driver: | Constant current adjustable and programmable driver on different levels (0-10V, 1-10V, DALI2, NFC). Embedded in the luminaire, pre-wired on a galvanised steel plate. |
| Flow Reduction: | Double level with control line, autonomous multi-level dimming or virtual midnight, flow reduction at the head-end. |
| Ready4IOT - Connectivity: | Zhaga Base (Book 18) - D4i. (Optional). NEMA 5,7 Pins Base (Optional). Bottom side Presence Sensor on Zhaga Base (Book 18) - D4i. (Optional). |
| Surge protection device (SPD): | Type T2+T3, 10kV and 20kA transient surge protector. Series connection with thermofuse, disconnection for a more effective protection at the end of the SPD service life. (Optional SPD Full Permanent Surge Protector >264Vac to <170Vac). |

DRAWING:



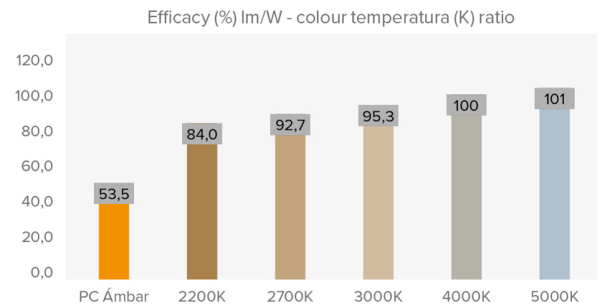
INSTALLATION:



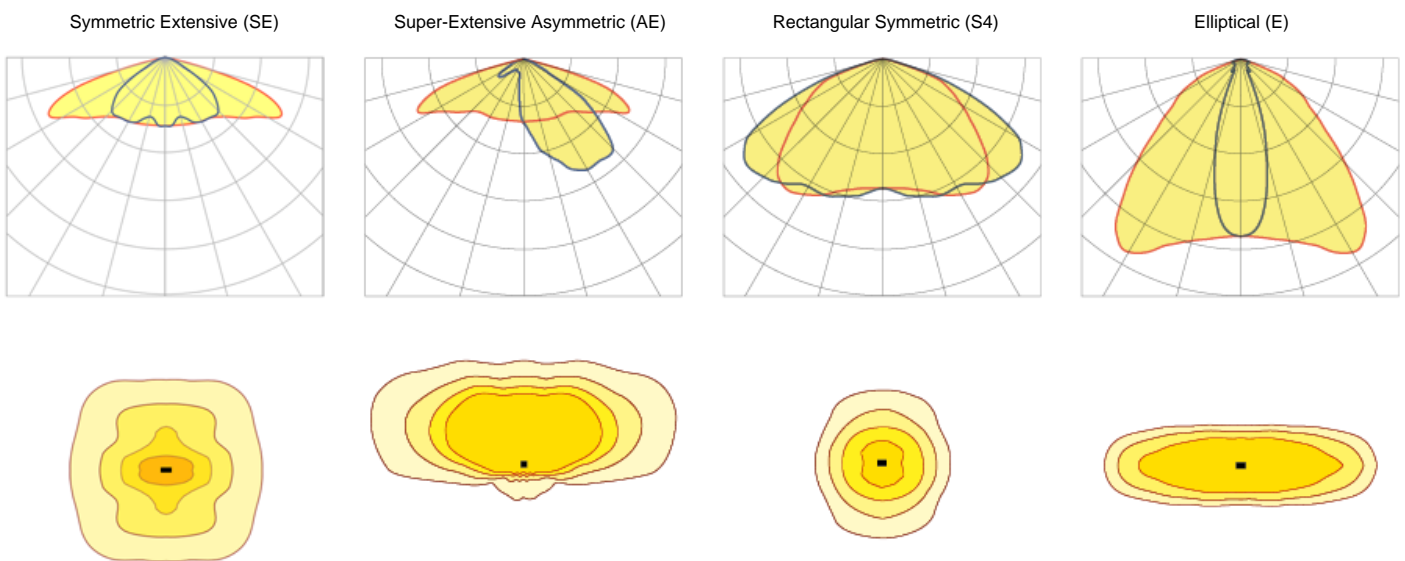
TECHNICAL DATA:

| REF. | N° LEDs | Power W | I Driver mA | Real luminous flux (T) =85°C | | Initial luminous flux (T) =25°C | |
|------------------------|---------|---------|-------------|------------------------------|---------------|---------------------------------|---------------|
| | | | | Flux lm | Efficacy lm/W | Flux lm | Efficacy lm/W |
| DECO CATENARIA ILDC | 16 | 20 | 375 | 2842 | 142 | 3240 | 162 |
| | 16 | 30 | 563 | 4242 | 141 | 4836 | 161 |
| | 16 | 40 | 750 | 5642 | 141 | 6432 | 161 |
| | 32 | 50 | 470 | 7050 | 142 | 8055 | 162 |
| | 32 | 60 | 563 | 8460 | 141 | 9644 | 161 |
| | 32 | 80 | 750 | 11280 | 141 | 12859 | 161 |
| | 48 | 100 | 625 | 14100 | 141 | 16074 | 161 |
| | 48 | 120 | 750 | 16920 | 141 | 19289 | 161 |

Luminous flux and efficiency at 4000°K and CRI>70.
Luminous flux tolerance < +/-3%.
Values may be subject to changes due to LED binning.



PHOTOMETRY:



*Show 4 recommended lighting distributions. Refer to the 18 typologies.

LEDs MODULE:

| | | |
|---------------------------------|---|--|
| LEDs module: | BENITO Zhaga standard with 8-16 LEDs. Check colour temperatures, CRI and Luminous distributions (Optional NTC temperature probe). | |
| Replaceable module: | Yes | |
| LED: | 5050 | |
| Number of LEDs: | 16-32-48 | |
| PCBs format: | 1 or 2 Zhaga (Book 15) 2x8 + 2 Zhaga (Book 15) 2x4 | |
| LED nominal efficacy: | 172 lm/W | |
| Colour temperature: | PC Amber, 2K2, 2K7, 3K, 4K, TW - Tunable White | |
| Colour rendering index CRI: | >70 (optional >80) | |
| Average LED useful time L90B10: | L90B10 >100.000 hours | |

OPTIC SPECIFICATIONS:

| | | |
|---|---|--|
| Optic system: | PMMA lenses 2x2 | |
| Light distributions: | 18 light distribution curves | |
| Upward light output ratio ULOR: | 0% | |
| Downward light output ratio DLOR: | 100% | |
| Glare index: | Between D5 and D6 (depending on the light distribution) | |
| Luminous intensity category: | Between G*4 and G*6 (depending on the light distribution) | |
| Luminous flux CIE n°3: | >95% (See 18 Light Distributions). | |
| Photobiological safety: | RG0 (exempt of risk) | |
| Initial luminous flux Tj=25°C (up to): | lm | 19289 |
| Initial luminaire efficacy Tj=25°C (up to): | lm/W | 162 |
| Real luminous flux Tj=85°C (UNE EN 13032-4) (up to): | lm | 16920 |
| Real luminaire efficacy Tj=85°C (UNE EN 13032-4) (up to): | lm/W | 142 (Rendimiento = 82.6 % lm/W (Real 85°C) ÷ lm/W (Nominal Led)) |

ELECTRIC SPECIFICATIONS:

| | | |
|--|--|---|
| Nominal maximum power (LEDs): | W | 108 |
| Maximum power consumed (luminaire): | W | 120 |
| Power range: | W | 20 - 120 |
| Maximum current of LED: | mA | <470 (LED Current = 50% Driver Current) |
| Power supply protection classes IEC: | Class I and II | |
| Surge protection device (SPD): | Type 2 and Type 3, 10kV and 20kA transient surge protector. Series connection with thermal fuse disconnecter for a more effective protection at the end of its service life. | |
| Common and differential mode protection (SPD) Udc: | kV | 10 |
| Max current (8/20) (SPD): | kA | 20 |
| Thermal phase disconnection (SPD): | Yes | |
| Input voltage: | Vac | 220-240 |
| Input voltage (max rate): | Vac | 198-264 |
| Input frequency: | Hz | 47-63 |
| Starting current: | A | <65 |
| Duration of the starting voltage peak: | ms | <0,3 |
| Driver efficacy: | >90% | |
| Power factor 100% consumption: | >0,98 | |
| Power factor 50% consumption: | >0,95 | |
| Total harmonic distortion (THD): | <10 | |
| Power consumption on standby mode: | <0,4 | |
| Energy class: | C (According to EU Regulation 2019/2015 EPREL) - A++ IPEA>1,15 | |

OPERATING CONDITIONS:

| | |
|---|-------------------------------|
| Average LED useful time L90B10: | >100.000 |
| Average driver useful life to Tp <70°C: | 100.000 |
| Average luminaire useful life L90B10 (TM-21): | 72.167 |
| Ambient temperature (Ta): | °C de -35°C a +50°C |
| Aerodynamic resistance (CxS): | m2 0,054 |
| Vibration test (15Hz 3 axis): | |
| Guarantee: | years 5 (extensible up to 10) |

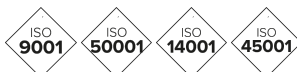
PACKAGING DIMENSIONS:

| | | |
|------------------------------|----|-------------|
| Net weight | kg | 8,5 |
| Gross weight | kg | 41 |
| Luminaire dimensions (LxWxH) | mm | 450x450x135 |
| Packaging dimensions (LxWxH) | mm | 520x520x260 |
| Pieces per box | | 1 |
| Quantity per container 20ft | | |
| Quantity per container 40ft | | |

CERTIFICATES:

| | |
|------------------------|--|
| Security certificates: | EN 60598-1 / EN 60598-2-3 / IEC 62471 |
| EMC certificates: | EN 55015 / EN 61547 / EN 61000-3-2 / EN 61000-3-3 / EN 61347-2-13 / EN 61347-1 / EN 62384 |
| Other certifications: | IEC 62262 / EN 13032-4 / EN62031 / EN 16474 / ISO 9227 / EN 60068-2-11 / ISO 10289 / EN 61643-11 |

Company Certifications



BENITO

info@benito.com
tel. 93 852 1000