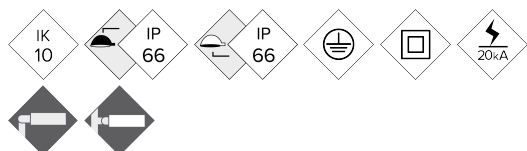


APIR

Floodlight

IRIS RGBW



Recessed ground-level projector with circular RGBW technology, featuring a closure with toughened 10mm tempered glass and a resistance level of up to 2000kg according to EN 60598-2-13. The product family offers three different sizes and a wide range of power options, ranging from 20W to 60W. Designed for dimming control through DMX-512 protocol

MAIN FEATURES:

- High efficiency. Up to 100 lm/W actual.
- 3 different sizes. From 20W to 60W.
- Aluminum injection body.
- Toughened 10mm tempered glass for great robustness.
- Dimming control via DMX-512 protocol.
- High-temperature resistant waterproof silicone ring, corrosion-resistant PP plastic.
- Stainless steel screws and frame.

APPLICATIONS:

- Commercial and Tourist Streets
- Architectural; Buildings and Monuments
- Accent Lighting; Trees and Sculptures

DETAILS:



[Project sheet](#) | [CAD](#) | [HD image](#)

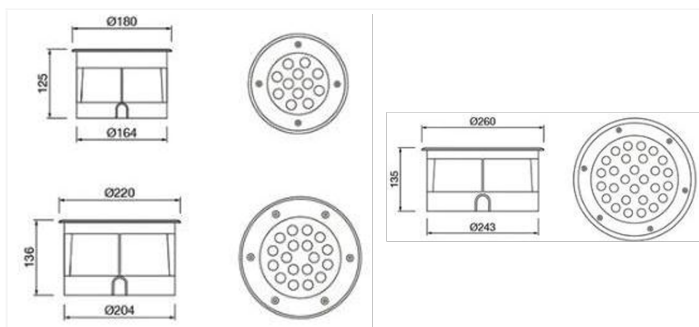
BENITO

info@benito.com
tel. 93 852 1000

SPECIFICATIONS :

Housing material:	High pressure die-cast aluminium EN AC-43000, EN AC-43100, EN AC-43400, EN AC-44100, EN AC-47100 according to the UNE EN 1706 standard
Diffuser (optic system enclosure):	Tempered 10 mm safety glass. UV filter
Fixing elements:	Stainless steel 18/8 - AISI 304
Housing:	Double compartment: driver / LED module
Sealing gaskets:	Silicone foam
IP rating (luminaire):	IP66
IP rating (optic system):	IP68
IK rating (impact resistance):	IK10
LEDs thermal dissipation:	Thermal dissipation through finless luminaire body, without conductive fluids. Passive convection dissipation ensuring thermal contact with the LED modules through a high-conductivity thermal transfer material
Anti-condensation valve:	Pressure-balancing valve to ensure moisture release, avoid condensation and maintain the luminaire IP tightness
Paint and finishes:	Resistant to corrosion
Colour:	Cromed
Mounting:	Flush mounted through fixing base.
Tilt range:	See other models
Maintenance:	Modular concept for easy component replacement: LEDs, drivers, SPD
Recommended mounting height:	Up to 8m
Driver:	Adjustable and programmable constant current driver. Incorporated inside the luminaire, pre-wired on a galvanized steel plate.
Flow Reduction:	Dimmable Driver through DMX-512 protocol through a decoder.
Ready4IOT - Connectivity:	Dimming control compatible with any DMX-512 system. Optionally, a controller with internal memories of lighting scenes can be supplied. Includes programming software.
Surge protection device (SPD):	Type 2, 10kV and 20kA transient surge protector. Series connection with thermofuse disconnecter for a more effective protection at the end of its service life

DRAWING:

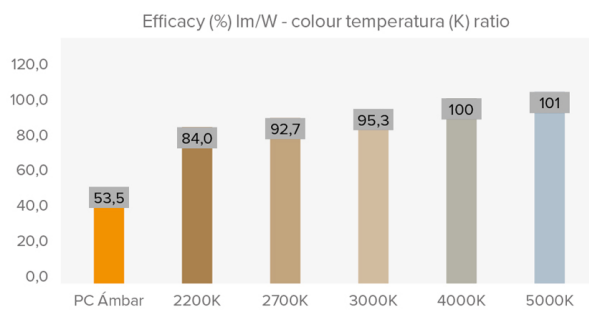


TECHNICAL DATA:



	REF.	N° LEDs	Power W	I Driver mA	Real luminous flux (T) =85°C		Initial luminous flux (T) =25°C	
					Flux lm	Efficacy lm/W	Flux lm	Efficacy lm/W
P IRIS C5 RGBW	APIR25C5	12	25	641	2500	100	2800	112
	APIR40C5	18	40	684	3760	96	4280	107
	APIR60C5	28	60	659	5520	92	6182	103

Luminous flux and efficiency at 4000°K and CRI>70.
 Luminous flux tolerance < +/-3%.
 Values may be subject to changes due to LED binning.



PHOTOMETRY:

V. 2024-02-23 | The constant improvement and evolution of our products may result in some modifications of the technical specifications and characteristics of the products without prior notice.

LEDs MODULE:	
LEDs module:	Check colour temperature, CRI and light distributions
Replaceable module:	Yes
LED:	LUXEON 3535
Number of LEDs:	28
PCBs format:	Circular arrangement. Optional Zhaga.
LED nominal efficacy:	112
Colour temperature:	R - G - B - W other options available
Colour rendering index CRI:	
Average LED useful time L90B10:	L90B10 >100,000 hours

OPTIC SPECIFICATIONS:	
Optic system:	Conical PMMA lenses.
Light distributions:	3 light distribution curves
Upward light output ratio ULOR:	0%
Downward light output ratio DLOR:	100%
Glare index:	Between D5 and D6 (depending on the light distribution)
Luminous intensity category:	Between G*4 and G*6 (depending on the light distribution)
Luminous flux CIE n°3:	>95%
Photobiological safety:	RG0 (exempt of risk)
Initial luminous flux Tj=25°C (up to):	lm 6182
Initial luminaire efficacy Tj=25°C (up to):	lm/W 103
Real luminous flux Tj=85°C (UNE EN 13032-4) (up to):	lm 5520
Real luminaire efficacy Tj=85°C (UNE EN 13032-4) (up to):	lm/W 92

ELECTRIC SPECIFICATIONS:	
Nominal maximum power (LEDs):	W 56
Maximum power consumed (luminaire):	W 60
Power range:	W 20W - 60W
Maximum current of LED:	mA <500 (<50% I _{max})
Power supply protection classes IEC:	Class I and II
Surge protection device (SPD):	Type 2, 10kV and 20kA transient surge protector. Series connection with thermofuse disconnecter for a more effective protection at the end of its service life
Common and differential mode protection (SPD) Udc:	kV 10 and optional NTC
Max current (8/20) (SPD):	kA 20
Thermal phase disconnection (SPD):	Yes
Input voltage:	Vac 220-240
Input voltage (max rate):	Vac 198-264
Input frequency:	Hz 47-63
Starting current:	A <65
Duration of the starting voltage peak:	ms <0.3
Driver efficacy:	>90%
Power factor 100% consumption:	>0.98
Power factor 50% consumption:	>0.95
Total harmonic distortion (THD):	<10
Power consumption on standby mode:	W <0.4
Energy class:	A++ IPEA>1.15

OPERATING CONDITIONS:	
Average LED useful time L90B10:	hours >100,000
Average driver useful life to T _p <70°C:	hours 100,000
Average luminaire useful life L90B10 (TM-21):	hours 72,167
Ambient temperature (T _a):	°C From -35°C to +50°C
Aerodynamic resistance (C _x S):	m ²
Vibration test (15Hz 3 axis):	
Guarantee:	years 5 years (extensible up to 10 years)

PACKAGING DIMENSIONS:	
Net weight	kg 9.8
Gross weight	kg 10.5
Luminaire dimensions (LxWxH)	mm 540x275x170
Packaging dimensions (LxWxH)	mm 580x315x210
Pieces per box	2
Quantity per container 20ft	1344
Quantity per container 40ft	2898

CERTIFICATES:	
Security certificates:	EN 60598-1 / EN 60598-2-5 / EN 62493 / IEC 62471
EMC certificates:	EN 55015 / EN 61547 / EN 61000-3-2 / EN 61000-3-3 / EN 61347-2-13 / EN 61347-1 / EN 62384
Other certifications:	IEC 62262 / EN 13032-4 / EN 62717 / EN 6272-1 / EN 6272-2-1 / EN 61643-11

Company Certifications



BENITO

info@benito.com
tel. 93 852 1000