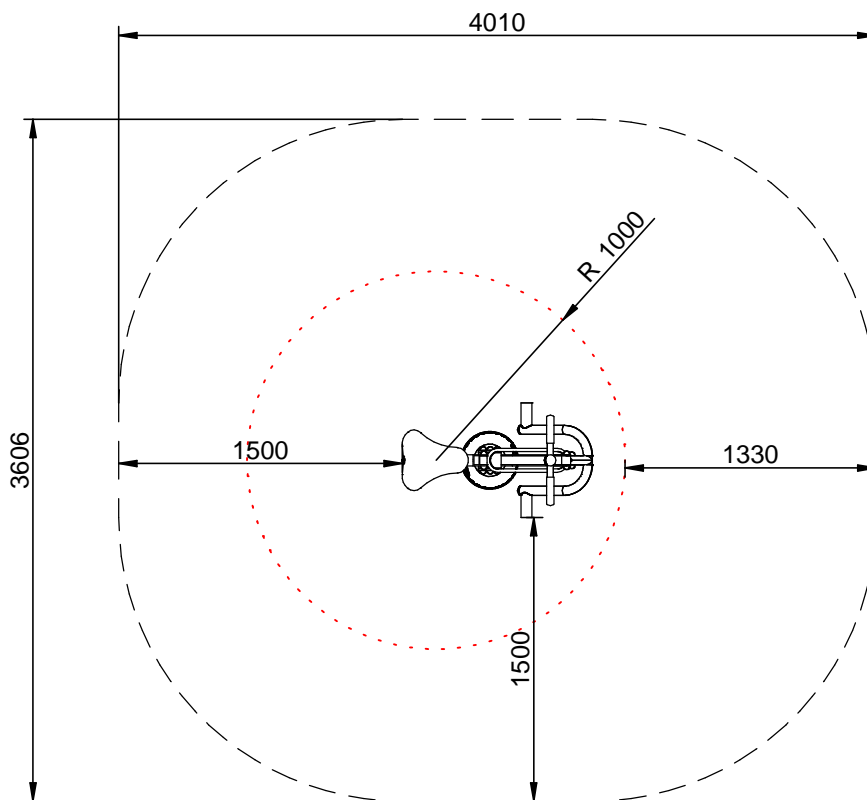
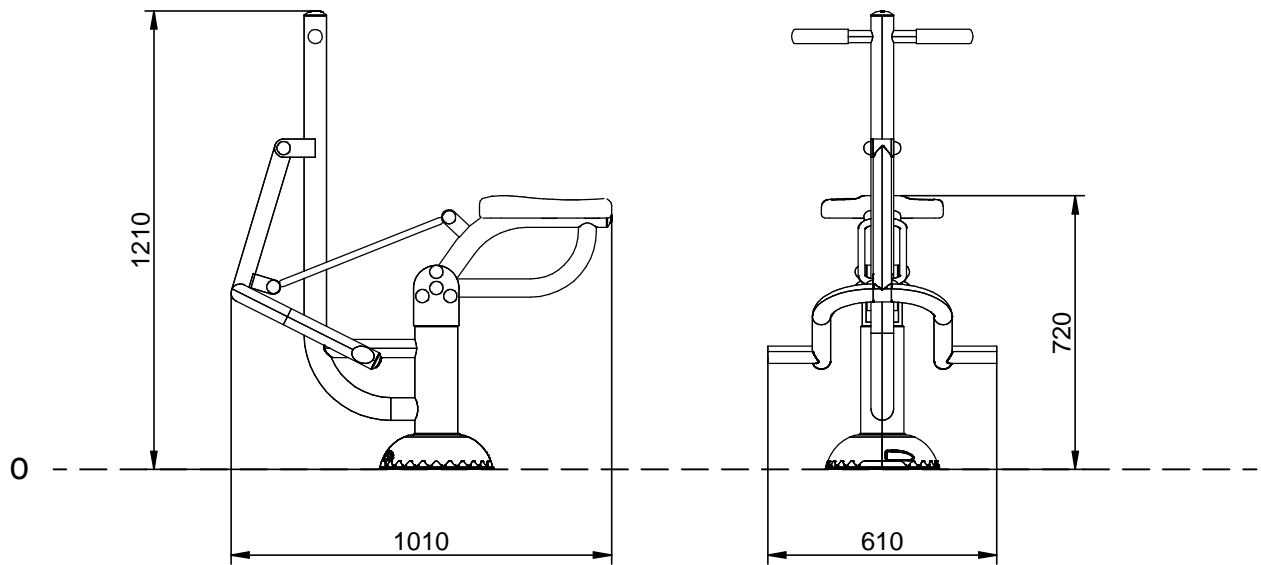


REMO | MEMBERS SUPÉRIEURS | ROWING | REMO



Stotal = 12,50 m² H= 0,85 m